



ZEPHAIRE 240G PLUS & ZEPHAIRE-100-G GAS CONVECTION OVEN REPLACEMENT PARTS LIST



EFFECTIVE MARCH 24, 2017

Superseding All Previous Parts Lists.

The Company reserves the right to make substitution in the event that items specified are not available.

ERRORS: Descriptive and/or typographic errors are subject to correction.

BLODGETT OVEN COMPANY

42 Allen Martin Drive, Essex Junction, Vermont 05452 USA Telephone: (802) 658-6600 Fax: (802) 860-3732
www.blodgett.com

P/N 52997 Rev J

SERIAL NUMBER LOCATION / KEY:

IMPORTANT: When ordering parts, please provide the model, gas type and serial number of the oven. The identification plate is located on the left side of the combustion compartment and also above the control panel under the ledge.

- ☑ ASAP Distributor Required Stocking Parts
- ◆ Doors Are Not Returnable
- * Item Is Too Large For UPS

SERIAL NUMBER IDENTIFICATION CODE:

ZG = ZEPHAIRE 240G PLUS

CL = ZEPHAIRE-100-G

SERIAL NUMBER EXAMPLES

092009ZG001T

09/20/09 = DATE

ZG = LETTER CODE FOR ZEPHAIRE 240G PLUS

001 = FACTORY SEQUENCE

T = TOP OVEN

TO OBTAIN LITERATURE:

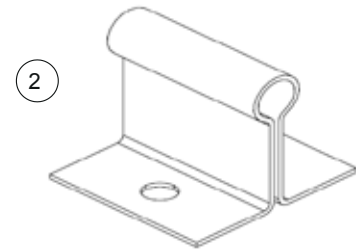
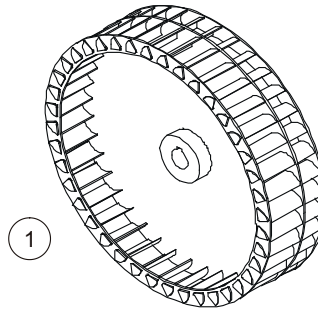
Email: literature@blodgett.com

or visit

www.blodgett.com

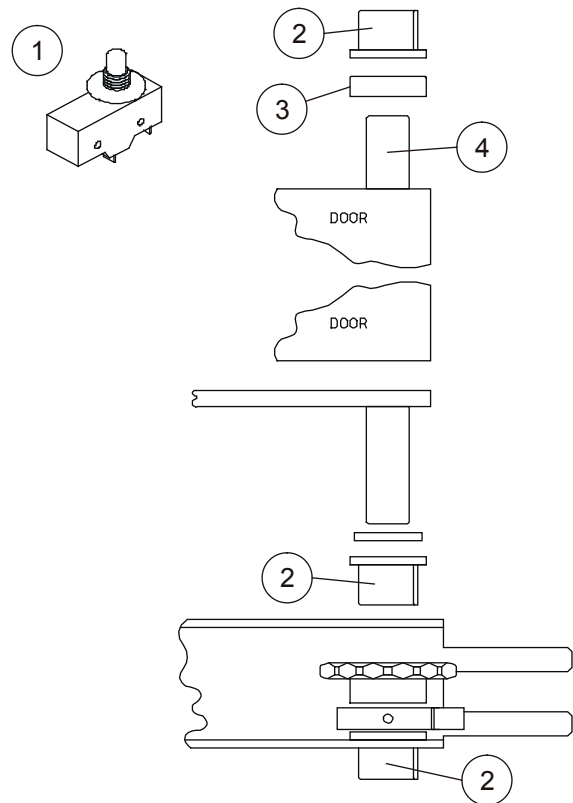
INTERIOR COMPONENTS

Ref. No.	Part No.	Description
	20758	Liner Baffle, Porcelain
1	15853	Blower Wheel Assy. 10 3/4"
2	33939	Clip, Thermostat Bulb
	18768	Rack, Oven (20-7/8" x 28-3/16")
	19081	Rack Support (Set of 2)
	8646	Support Assy., Baffle (Set of 4)
	90027	Motor Mount & Panel Assy.
2	33088	Clip, Thermostat Bulb RTD

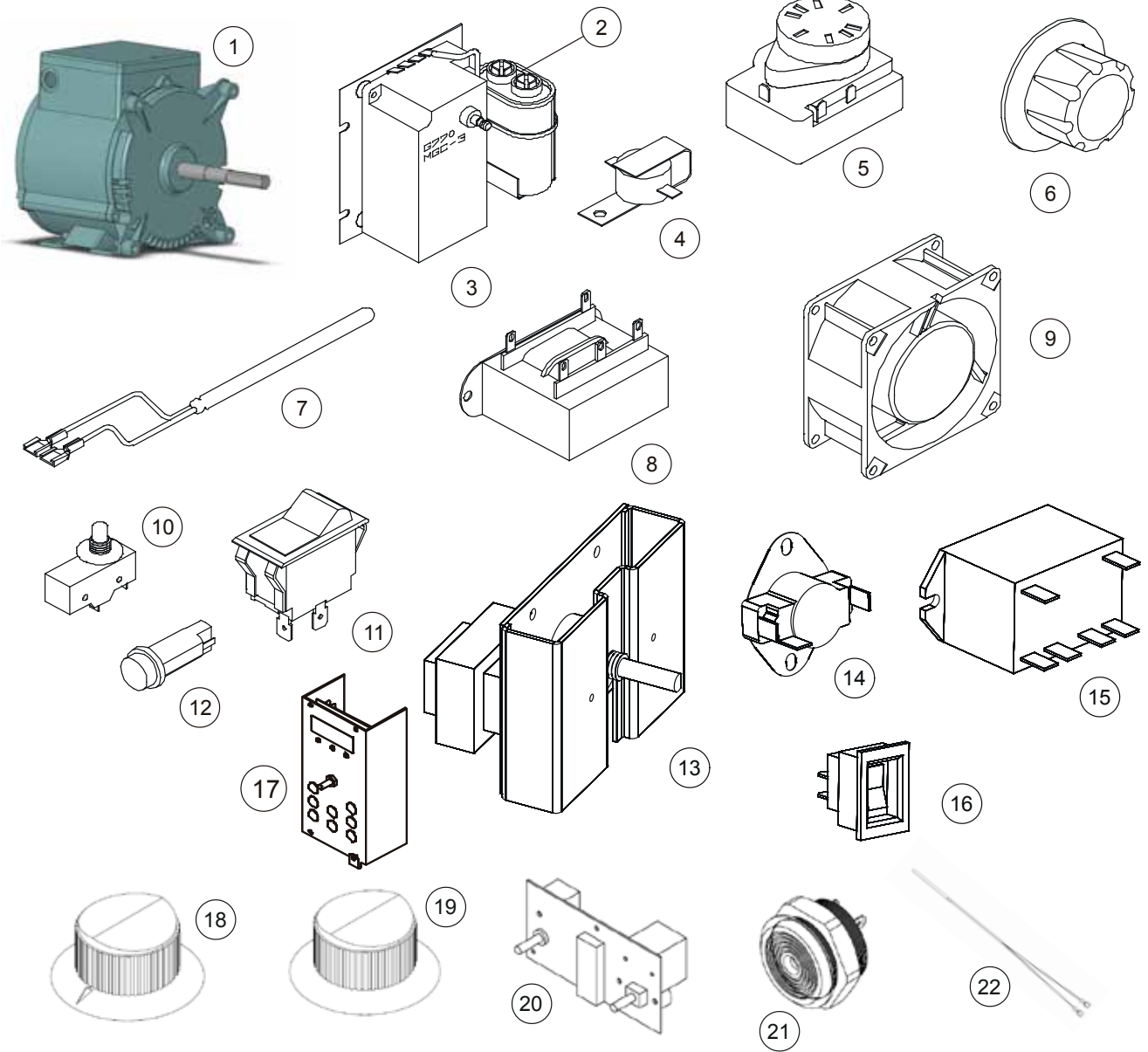


DEPENDENT DOOR COMPONENTS

Ref. No.	Part No.	Description
◆	20806	Door Assy, Solid LH
◆	20805	Door Assy, Solid RH
◆	20804	Door Assy, Glass LH
◆	20803	Door Assy, Glass RH
1	35702	Microswitch Kit (Replaces 19978)
1	35419	Bracket Assy, Microswitch (Replaces 21081)
2	90004	Bushings, Door Hinge (Set of 2)
3	16657	Sleeve, Upper Door Bushing
4	17557	Hinge Pin, Upper Door
	9036	Window Assy, Drop In (10-1/8" x 17-1/8")
	17558	Handle, Porcelain Door
	18081	Top Plate, Door Handle
	4887	Chain & Turnbuckles, Door Operating
	17311	Trim, Center Door
	36606	Pressure Lock
	36876	Gasket Assy., Perimeter
	36037	Support Assy, Lower Door, Complete



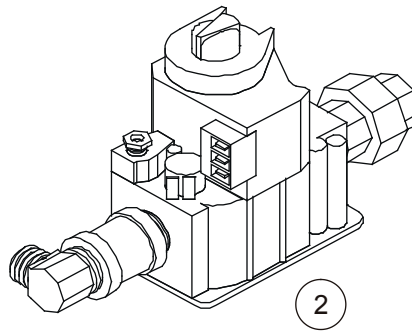
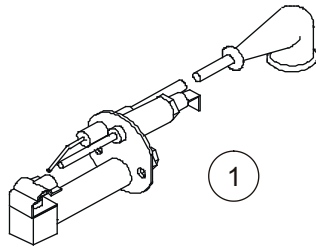
ELECTRICAL COMPONENTS



ELECTRICAL COMPONENTS

Ref. No.	Part No.	Description	Ref. No.	Part No.	Description
1	32291	Motor, 115V, 1 PH, 1/2 HP, 2 SP	15	37058	Relay, 24V
	20065	Conduit Assy., Motor 2 SP	16	36376	Gas Switch
2	23077	Capacitor, Motor 2 SP		4342	Lamp
3	20348	Spark Box Assy, LP & Nat (G770MGC-Blue)		4922	Socket, Lamp
4	20349	Buzzer, 120V		15891	Tube Assy, for lamp
5	18225	Timer, 60 Minute, 120V, 60 HZ		5091	Cord Set Assy
6	16686	Knob, Timer	17	30658	SSD Time/Temp Controller, before 7/1/16
	16686	Knob, Thermostat		58718	SSD Time/Temp Controller, after 7/1/16
7	18588	Probe, Temperature, 1/4" diameter, 100K ohm	18	36616	Knob, Thermostat (SSI-D)
8	20355	Transformer, 115V to 24V	19	36617	Knob, Timer (SSI-D)
9	22301	Axial Fan, 115 V	20	57561	Control, Infinite w/Digital Timer, RTD (SSI-D)
10	35702	Microswitch Kit (Replaces 19978)	21	52668	Beeper (SSI-D)
	35419	Bracket Assy., Microswitch	22	57562	RTD Probe, Temperature, 1K RTD
11	6502	Cool Down Switch, Rocker DPDT Red			
	7636	Blower Switch, Rocker 3PDT Black 2 SP			
11	16530	Light Switch, Rocker DPST white			
12	18265	Indicator Light, 28V, Red, Round			
13	33152	Temperature Controller, w/pot thermistor, before 12/02/2015			
	57372	Temperature Controller, w/pot RTD, after 12/02/2015			
14	36755	Switch, Thermal Cooling			

BURNER & PIPING ASSEMBLY



Ref. No.	Part No.	Description
	18799	Steel Tube Burner Assy. (Set of 2)
	8717	Orifice, Main Burner (Specify Model & Gas Type) (Set of 2)
	90063	Air Shutter Only
	3001	Locknut, Air Shutter
	15871	Manifold Assy.
	33249	Tubing, Manifold Assy.
	4872	Manifold Plug
1	56463	Pilot Burner Assy., Complete Nat
1	56464	Pilot Burner Assy., Complete LP
	18263	Orifice, Pilot Burner, Nat
	18257	Orifice, Pilot Burner, LP

Ref. No.	Part No.	Description
	18586	Pilot Tubing Assy.
2	30005	Dual Solenoid/Pressure Reg, Nat 24V
2	30006	Dual Solenoid/Pressure Reg, LP 24V
	21079	Air Duct Assy. (Set of 2)
	17861	Deflector Assy.
	18256	Flame Sensor Probe
	19677	Wire, Flame Sensor
	21242	Flex Gas Hose, 48"
	21826	Flex Gas Hose, 36"
	37704	Tube/Bracket Assy

EXTERIOR COMPONENTS

<u>Ref. No.</u>	<u>Part No.</u>	<u>Description</u>
	17858	Combustion Cover Assy. (w/o security package)
	20443	Flue Box (Sgl Oven)
	17486	Flue Assy., Stacking (3 Piece)
	35048	Backpipe Assy. (Dbl Oven)
	7839	Draughthood, Direct Venting, S/S
	7840	Draft Diverter, Canopy Vent, S/S
	36696	Back Panel, S/S
	36407	Bodyside, RH S/S
	37205	Bodyside, LH S/S
	38991*	Bodytop, S/S
	8600	Legs, 6" w/ Bolts, S/S (Set of 4)
	8598	Legs, 25" w/ Bolts, S/S (Set of 4)
	7847	Leg Bolts (Set of 8)
	92000	Leg Studs (Set of 4)
	6486	Open Stand 25" w/ Feet, S/S
	11416	Open Stand 25" w/ Casters, S/S
	16002	Caster Kit, Sgl Oven (Set of 4)
	5779	Caster Kit, Dbl Oven (Set of 4)
	19528	Caster Kit, Low Profile (Set of 4)
	31803	Clips, Dbl Stacking (Set of 2)
	54422	Side Heat Shield, Right or Left
	58737	Panel & Decal, Manual Control w/lights, after 12/02/2015
	58683	Panel & Decal (SSI-D)
	58725	Panel & Decal (SSD), after 7/1/16
	59657*	Front Trim Kit, Bodytop
	NOTE*	For ovens pre-dating 03/10/2017, parts 38991 & 59657 must be replaced/ purchased together.

ROLL-IN UNITS

<u>Ref. No.</u>	<u>Part No.</u>	<u>Description</u>
	20517	Docking Plate Assy.
	8355	Docking Pins, Transport Cart
	8356	5" Casters, Transport Cart
	9052	Handle, Transport Cart (Sgl Oven)
	8359	Catch Mechanism, Transport Cart
	8357	Locking Bar, Transport Cart
	8358	Tracks & Shelf Assy., Transport Cart
	9015	Handle, Transport Cart (Dbl Oven)
	7931	Vertical Posts (Each)
	19782	Track, LH
	18031	Track, RH
	21089	Rack Stop, S/S
	7689	Transport Cart, CTRG
	8626	Transport Cart, CTRG-2
	24608	Roll-In Basket Dolly, DBRI-S
	23582	Roll-In Pan Rack, RPR-S9 (w/ 5 Racks)
	8677	Racks for Pan Rack, S9 (19" x 26")

EXCLUSIVE TO SPRITZER

<u>Ref. No.</u>	<u>Part No.</u>	<u>Description</u>
	18267	Indicator Light, Blue 250V, before 11/1/2012
	18580	Push Button Switch & Contacts
	18308	Thru Pipe & Nozzle
	18314	Thermal Switch, SPNO
	30277	Right Angle Valve, 220V, before 11/1/2012
	30283	Water Filter, before 11/1/2012
	19014	Indicator Light, Amber, 28V, after 11/1/2012
	R10838	Valve Solenoid Coil, 24V, after 11/1/2012
	55276	Valve, after 11/1/2012
	36854	Spritzer Timer, after 11/1/2012